



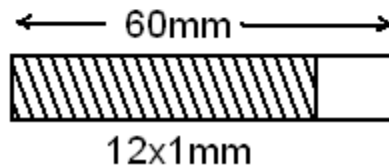
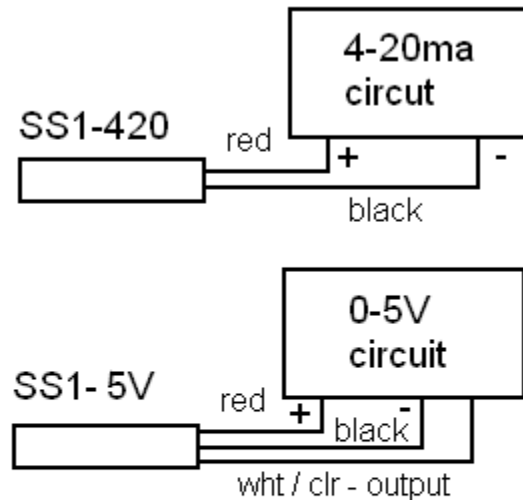
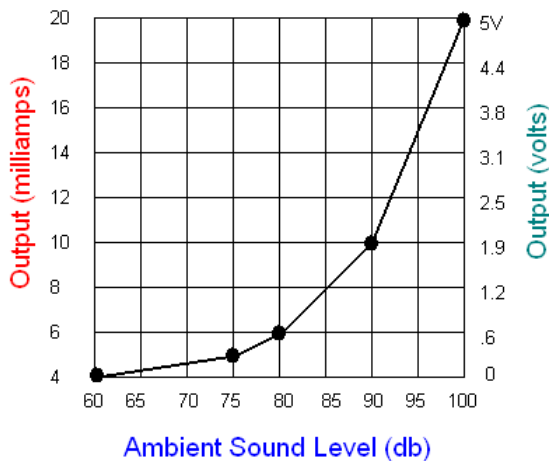
## SS1 - Sound Sensor - 65 - 100db



### Features

- Two wire current loop 4-20mA output
- Three wire voltage output 0-5V
- Comes with two mounting nuts
- Convenient mounting 1/2" hole
- 12 x 1mm threads - (approx. 60mm long)
- Temperature range - -40 to +160F

Typical performance curve.



Applications:

Useful to detect equipment malfunction

Useful to detect security intrusion

Useful to detect pneumatic leaks